



PowerX Series Handguard Mount Kit – PM14256

PARTS INCLUDED:

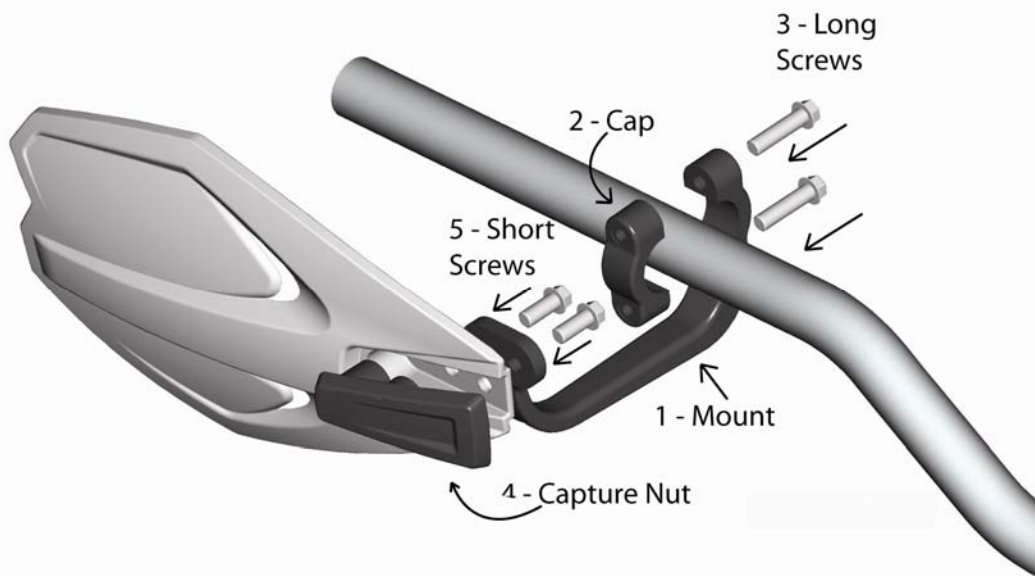
Qty	Description	Qty	Description
2	Mount Bracket	4	Long Screw
2	Cap	4	Short Screw
2	Molded Nut		

TOOLS REQUIRED: 8 MM wrench or socket and ratchet

STEP 1: Hand tighten the mount bracket (1) to the handlebar using the cap (2) and the long screws (3).

STEP 2: The PowerX handguard can be attached to the mount bracket in two positions. Choose the position that works best for your machine and attach the handguard to the mount using the molded nut (4) and short screws (5).

STEP 3: Adjust the position and tighten all screws with an 8mm wrench or socket.



One Year “No Questions Asked” Warranty

POWERMADD warrants this product from breaking for any reason, no questions asked, for one year. Just send the broken part back to **POWERMADD** along with a copy of your sales receipt with date of purchase and a replacement part will be sent to you. **POWERMADD** shall not be liable for damage or injury caused by defective materials or workmanship. After the one year from purchase **POWERMADD** warrants this product to be free from defects in material and workmanship under use for the purpose it was intended. **POWERMADD** may elect to repair or replace this product, but is the sole judge of any defects in their product. This warranty does not cover any labor costs to remove or reinstall this product and is effect for one year from the original purchase date.

POWERMADD[®]

1-800.435.6881

PP5066 Rev A

www.powermadd.com